

**2695-RF**

**- NOTICE -**

**This playset product is not intended for public use. It is intended for residential application and is not warranted for public or commercial use.**



**IMPORTANT: THIS MANUAL SUPERSEDES THE MANUAL PACKED IN YOUR KIT.  
USE IT TO ASSEMBLE YOUR MONKEY BARS!  
NOTE: YOU MAY HAVE EXTRA FASTENERS AFTER FINISHING ASSEMBLY.**

***Call Us First!***

***DO NOT RETURN TO STORE.***

**For immediate help with assembly or product information**

**Call our toll-free number:**

**1-866-890-2211**

**April through October M - F 8:00 AM to 6:00 PM EST**

**Saturday 8:30 AM to 4:30 PM EST**

**November through March M - F 8:00 AM to 5:00 PM EST**

**or email:**

***customerservice@backyardproductsllc.com***

**Our staff is ready to provide assistance.**

(This page intentionally left blank.)

Customer Service  
1-866-890-2211  
1000 Ternes  
Monroe, MI 48162

# Backyard Play Systems

## Monkey Bar Accessory

Model 34037

Recommended for Ages 3 to 11

### - BEFORE YOU BEGIN -

#### Tools Required

Socket Set

Ratchet

Socket  
Extension

Hammer

Phillips Bit

Combo Drive Bit

Cordless Drill  
w/Charger

Drill Bits

Tape Measure

Level

C - Clamps

8' Step Ladder

#### First...

- Check with your homeowner's association before assembling.
- Read instructions thoroughly before you begin. If you have purchased accessories to accompany this playset, please read all installation instructions before beginning assembly of this structure.

#### Check All Parts

- If a part is missing, circle the part in question and call.

#### Important

- In a drawing, a dotted line represents a part hidden from view (like a part under a panel).

#### Adult Assistance required

- Assistance is necessary to handle, fit and secure some components.

#### Squareness is very Important!

Start with a level surface and keep 90° corners and 90° perpendiculars throughout the assembly to ensure all components fit together.

#### Safety!

- Check for protruding screws and bolts, verify all screw and bolt lengths during assembly.

**Always wear OSHA-APPROVED safety glasses throughout assembly process.**



### - NOTICE -

**This playset product is not intended for public use. It is intended for residential application and is not warranted for public or commercial use.**

Your premium playset is manufactured from wood which has many natural characteristics and blemishes that may be present in some of the pieces in your playset. These natural characteristics may include knots or minor cracks/splits. All individual parts have been cut to provide a smooth and safe surface. All parts have been inspected to assure we pack only the safest, most durable wood product. Any minor blemishes in your playset will not affect the strength, durability, or structural integrity of the finished product. Our limited warranty does not cover the imperfections not resulting in structural failure.

# MONKEY BAR PARTS LIST

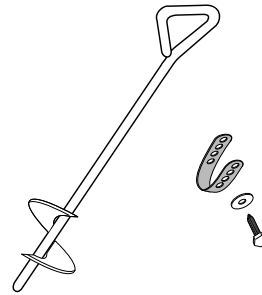
End Ladder Angle Brace



1-3/8 x 3-3/8 x 57"

**2983-CC** x2

Anchor



**WS 4522** x2

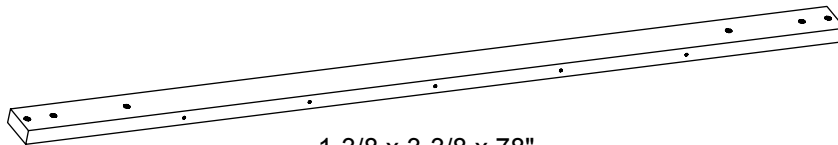
End Ladder Bottom Support



1-3/8 x 3-3/8 x 80-1/2"

**2985-CC** x1

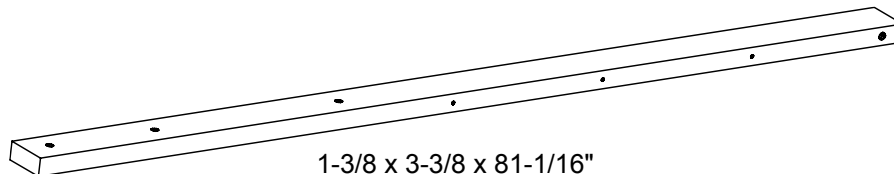
Top Ladder Rail Support



1-3/8 x 3-3/8 x 78"

**2984-CC** x2

End Ladder Rail Support



1-3/8 x 3-3/8 x 81-1/16"

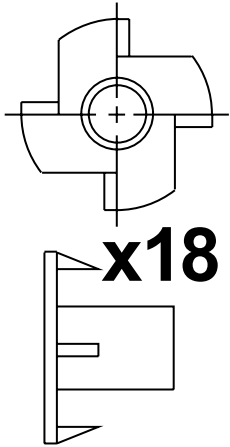
**2986-CC** x2

# MONKEY BAR HARDWARE

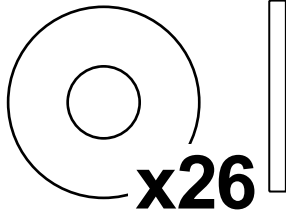
- NOTICE -

Depending on your playset model, you will have extra hardware left over.

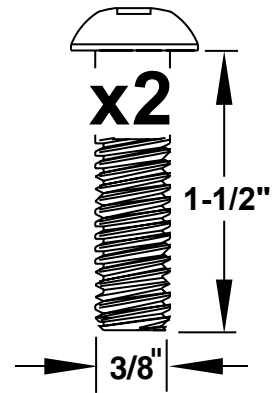
3/8" T NUT



3/8" FLAT WASHER



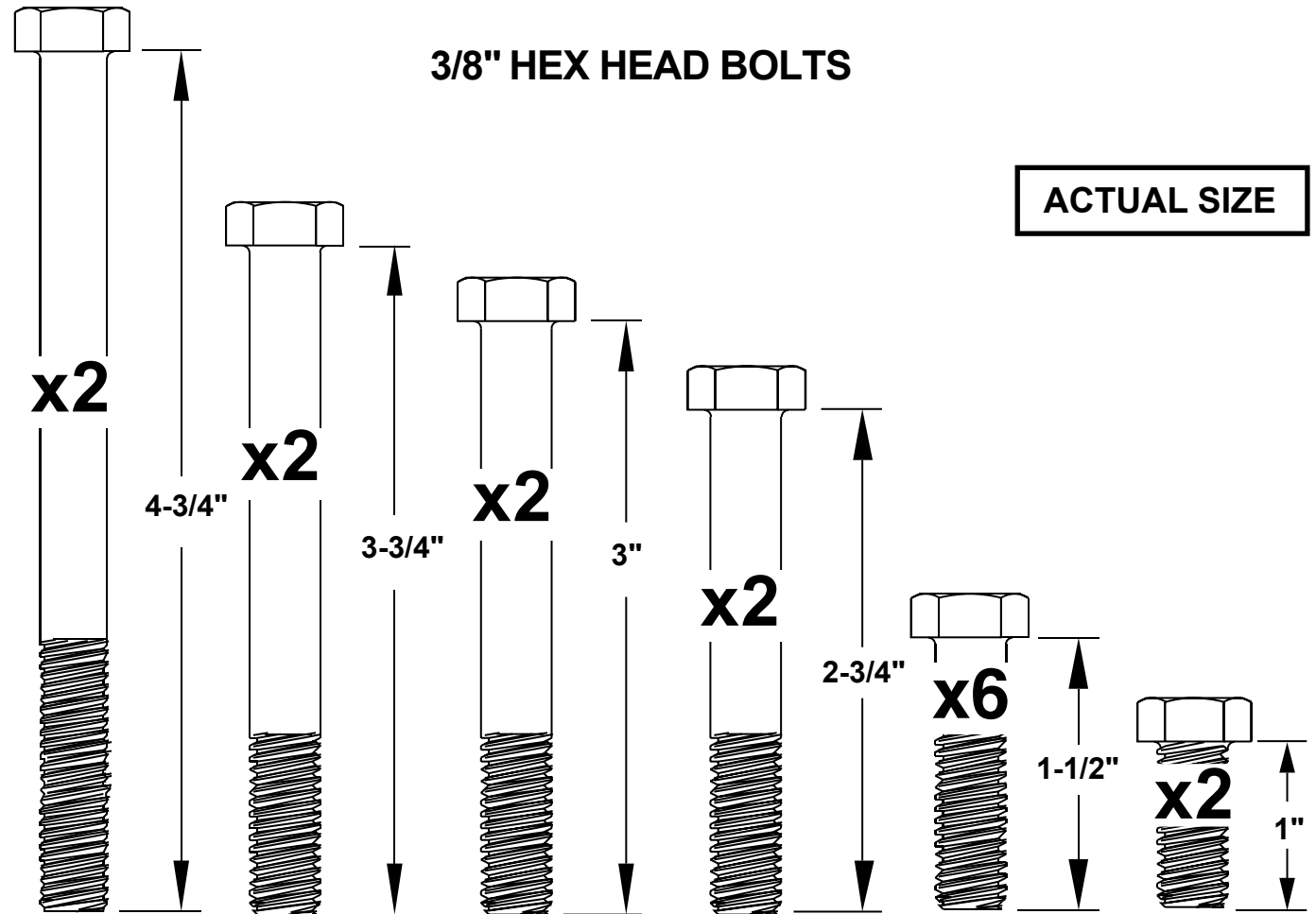
3/8" x 1-1/2"  
BUTTON HD.  
SCREW



3/8" LOCK WASHER

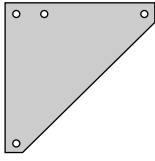


3/8" HEX HEAD BOLTS

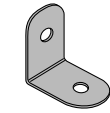


# MONKEY BAR METAL PARTS

Flat Metal Bracket



2023 x2



L-Bracket

2084 x2

18-1/2"



Top Rung

PF 4972 x5

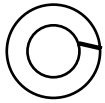
21-1/2"



End Rung

PF 3297 x3

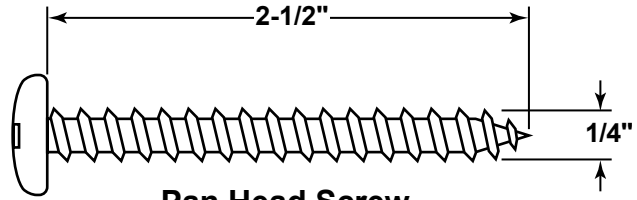
## FASTENERS FOR METAL RUNGS



Lock Washer

x16

x16



Pan Head Screw

Space intentionally left blank.

# PLAYSET

# ORIENTATION

BACK SIDE

6' SAFETY AREA

LEFT SIDE

REFER TO PLAYSET  
INSTRUCTION MANUAL  
FOR SAFETY AREA

RIGHT SIDE

6' SAFETY AREA

FRONT SIDE

# MONKEY BARS

# TOP RAIL

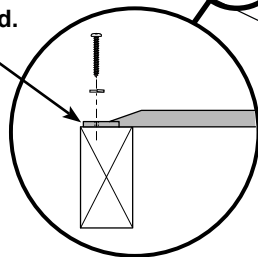
1-3/8 x 3-3/8 x 78"  
**2984-CC** x2

1" x 18-1/2"  
**PF 4972** x5

2-1/2" Pan Head Screw  
1/4" Lock Washer  
**x10**

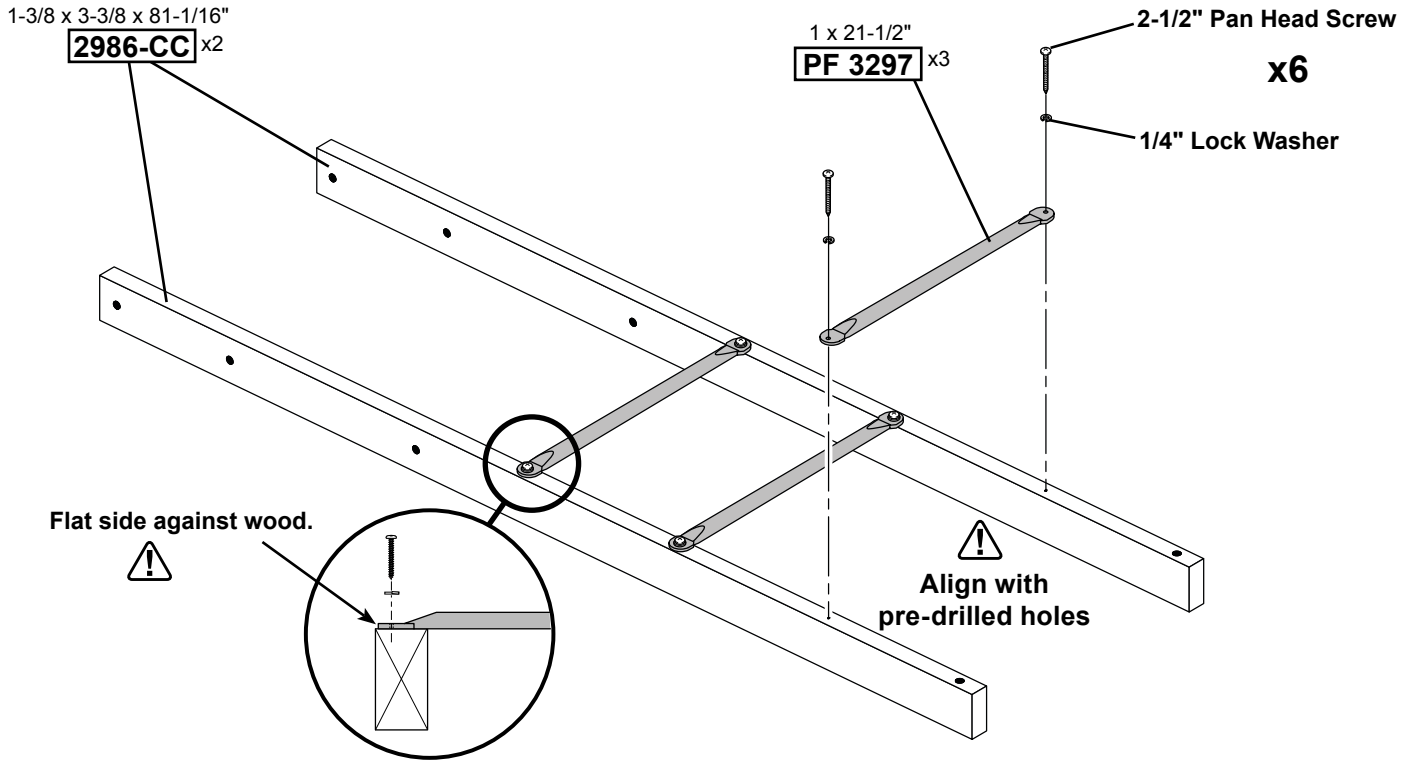
⚠  
Align with  
pre-drilled holes

Flat side against wood.  
⚠



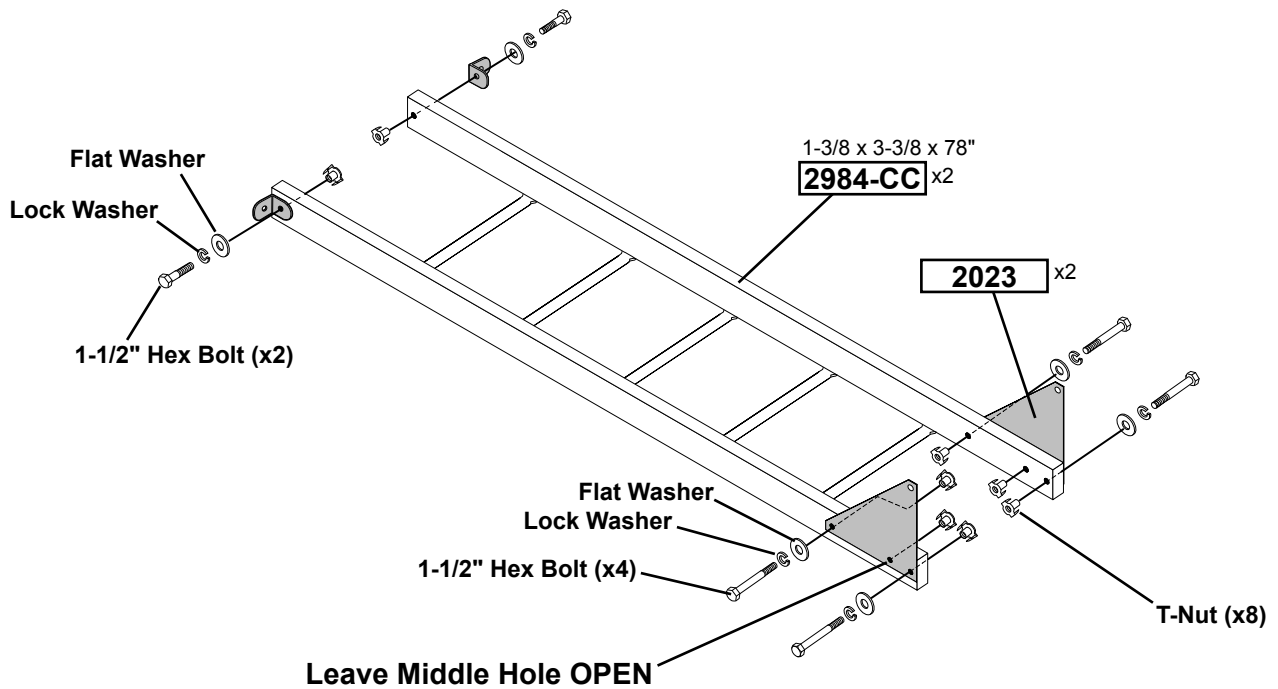
# END RAIL

# ASSEMBLY

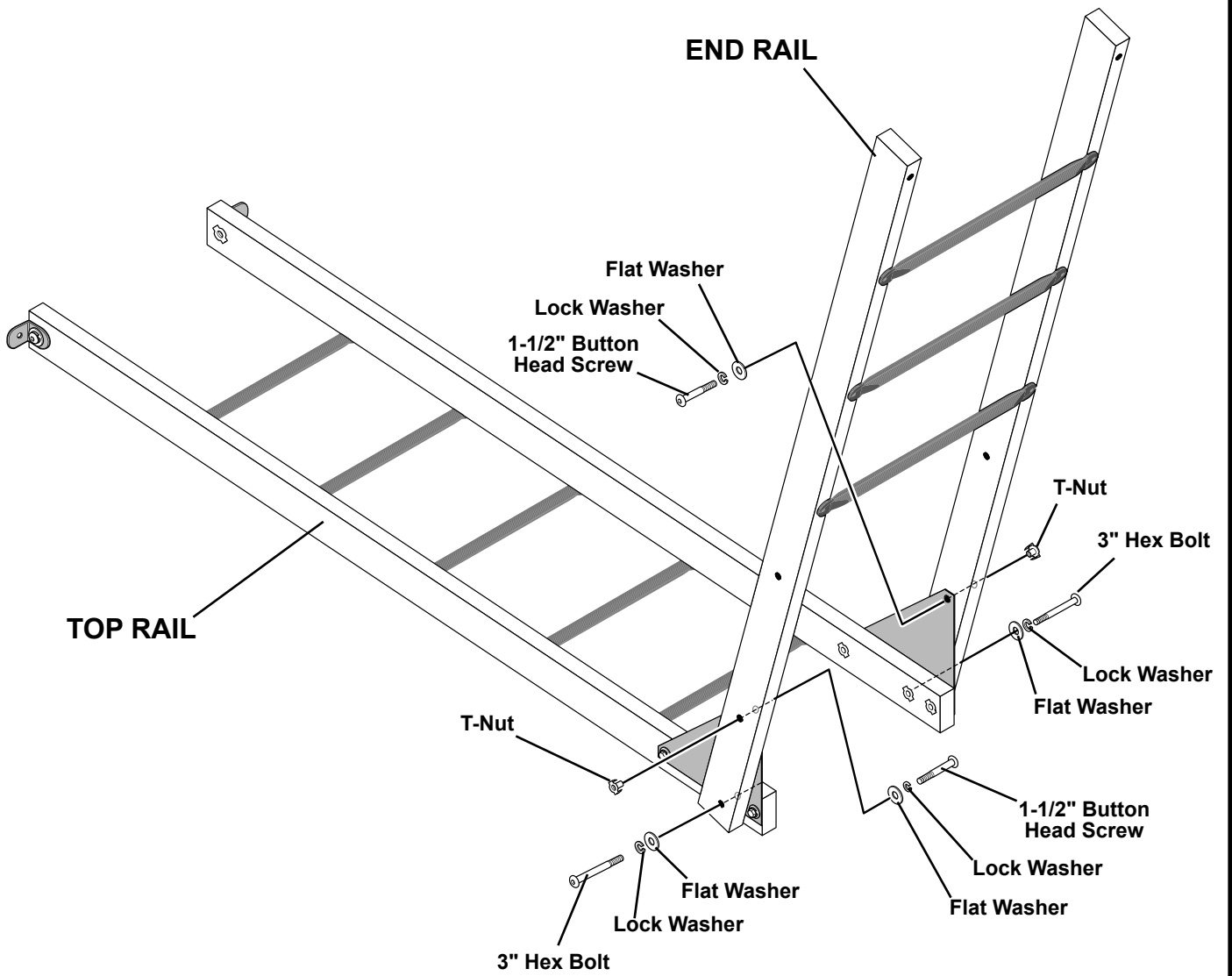


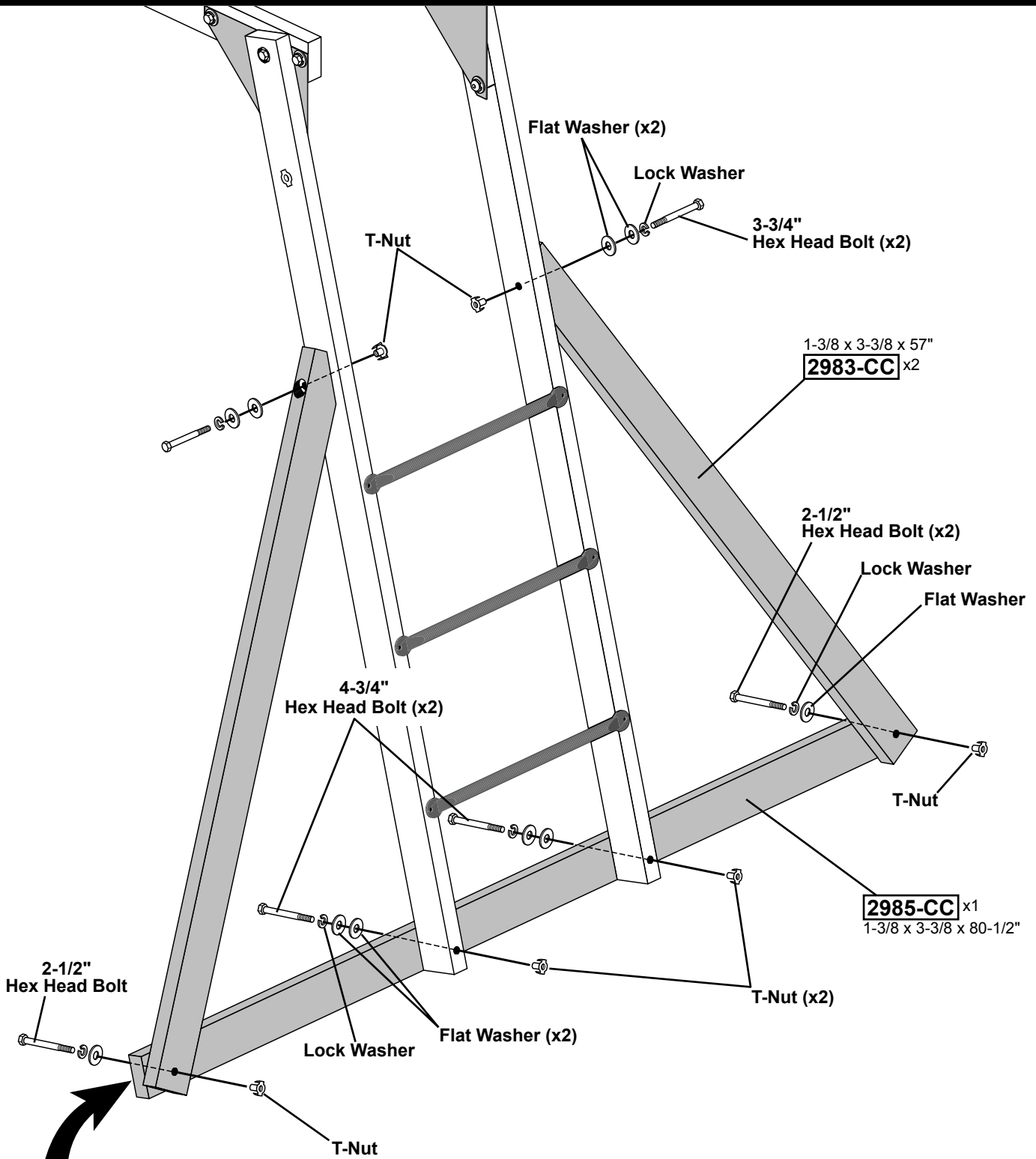
# TOP RAIL / BRACKETS

# ASSEMBLY





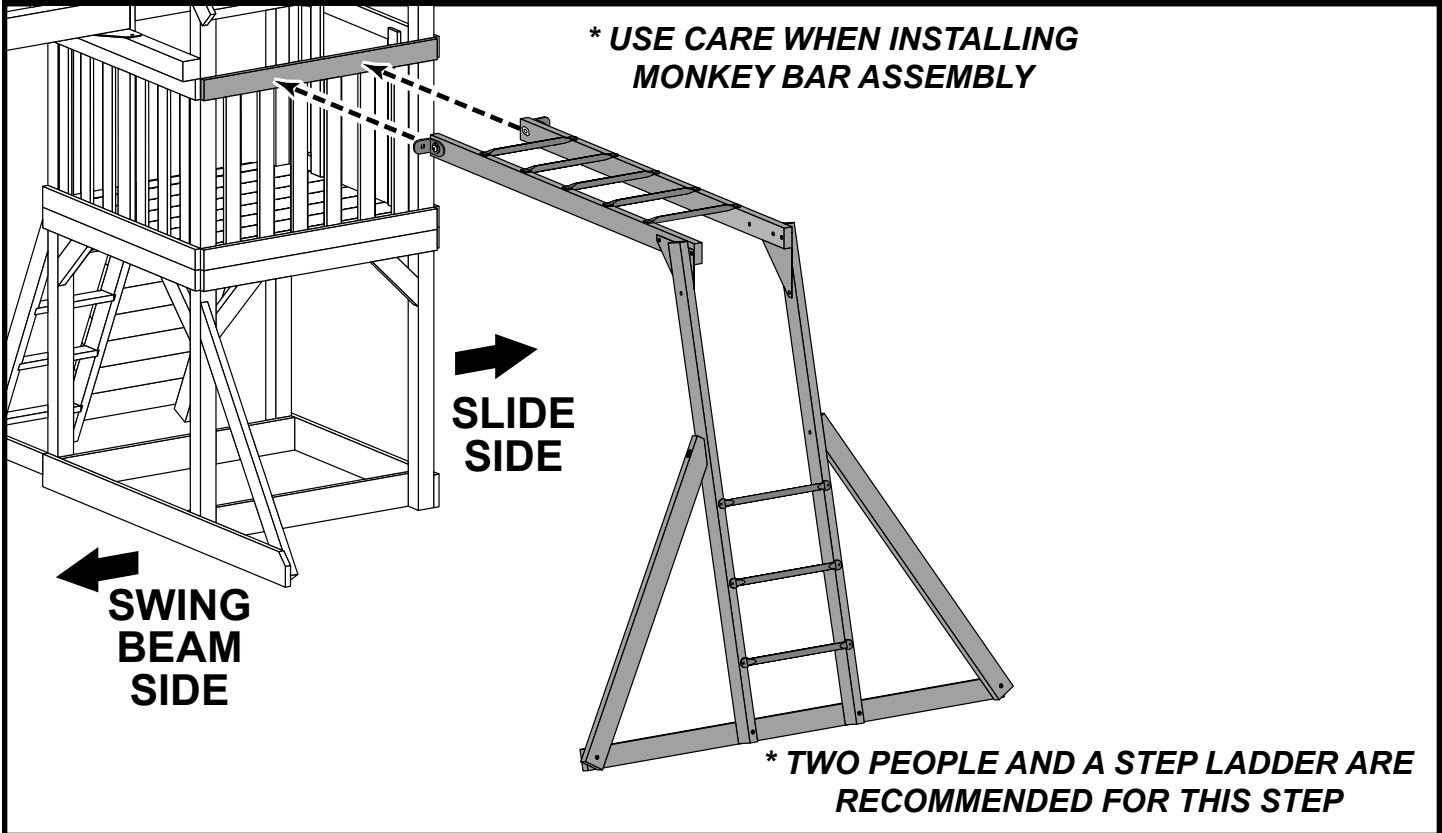




**NOTE:**  
Counter-bore of  
2985-CC toward  
rear side of ladder.

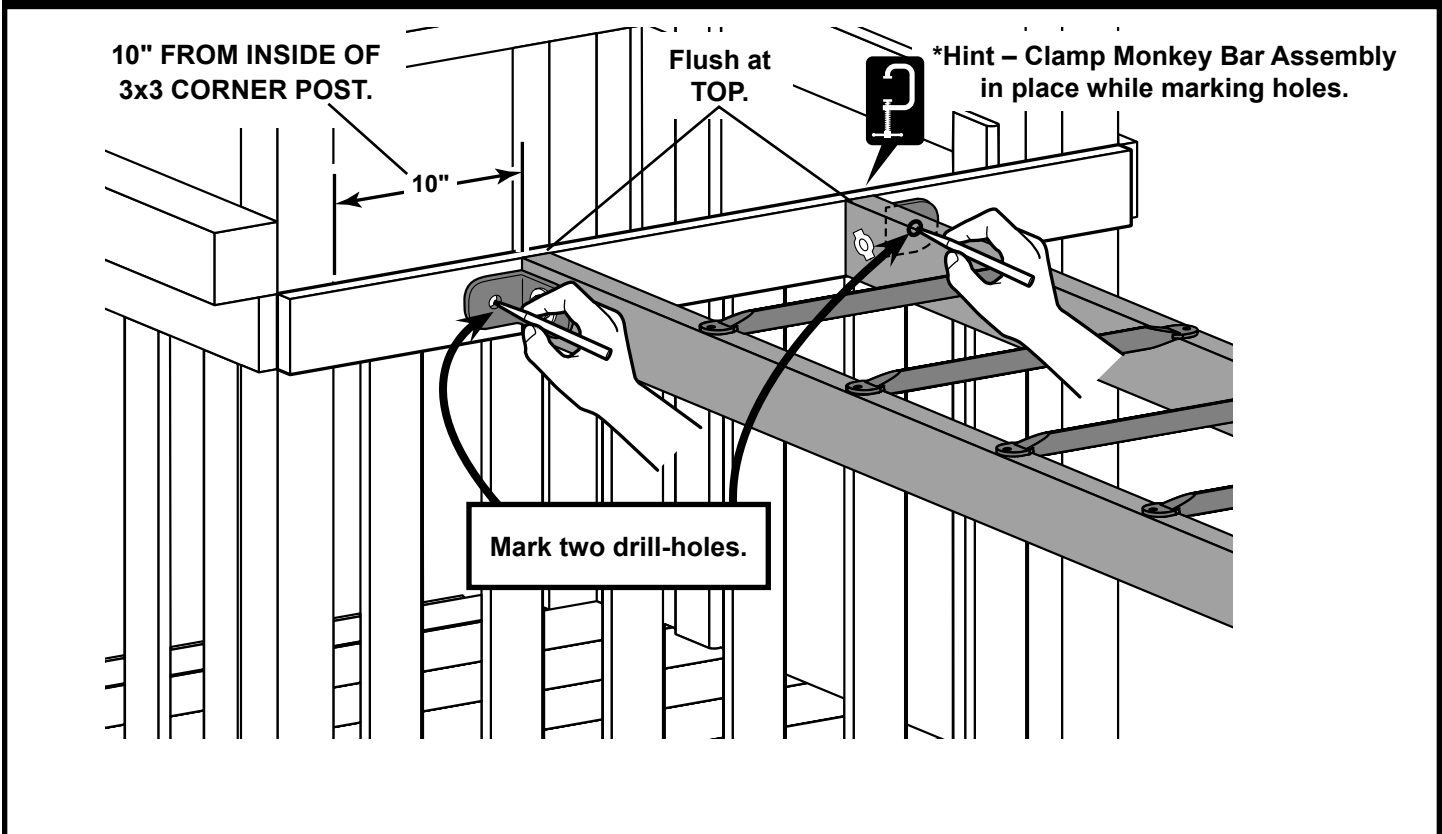
# MONKEY BAR

# INSTALL POSITION



# MONKEY BAR

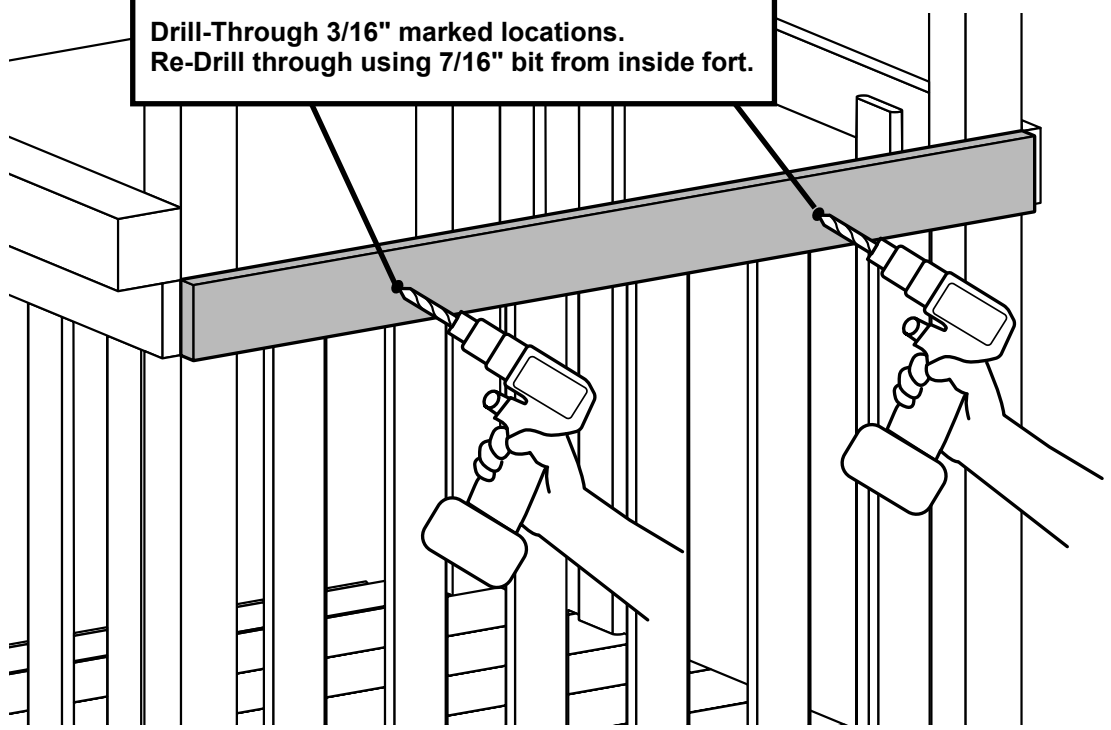
# INSTALL - STEP 1



# MONKEY BAR

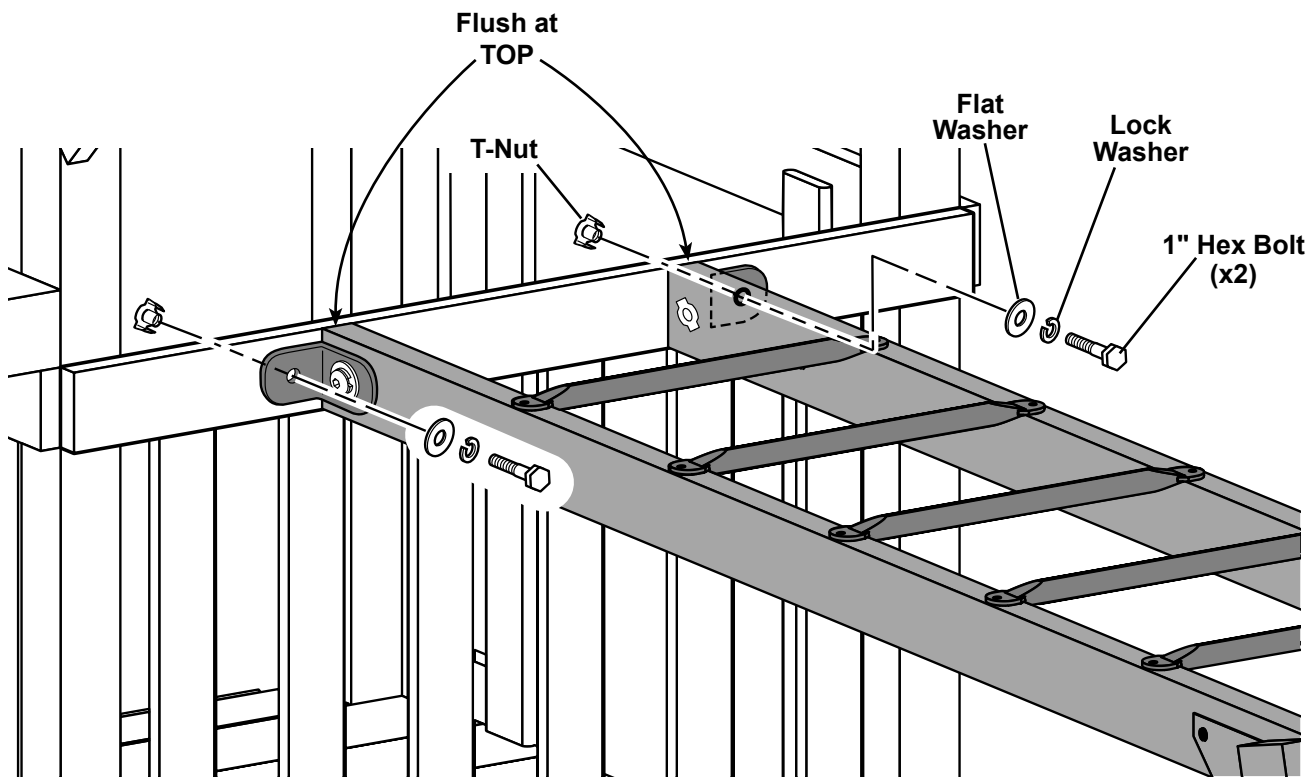
# INSTALL - STEP 2

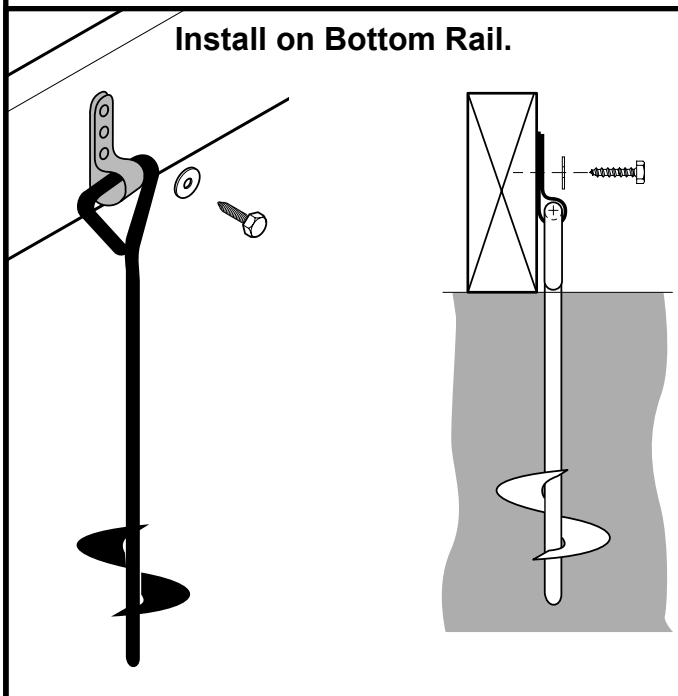
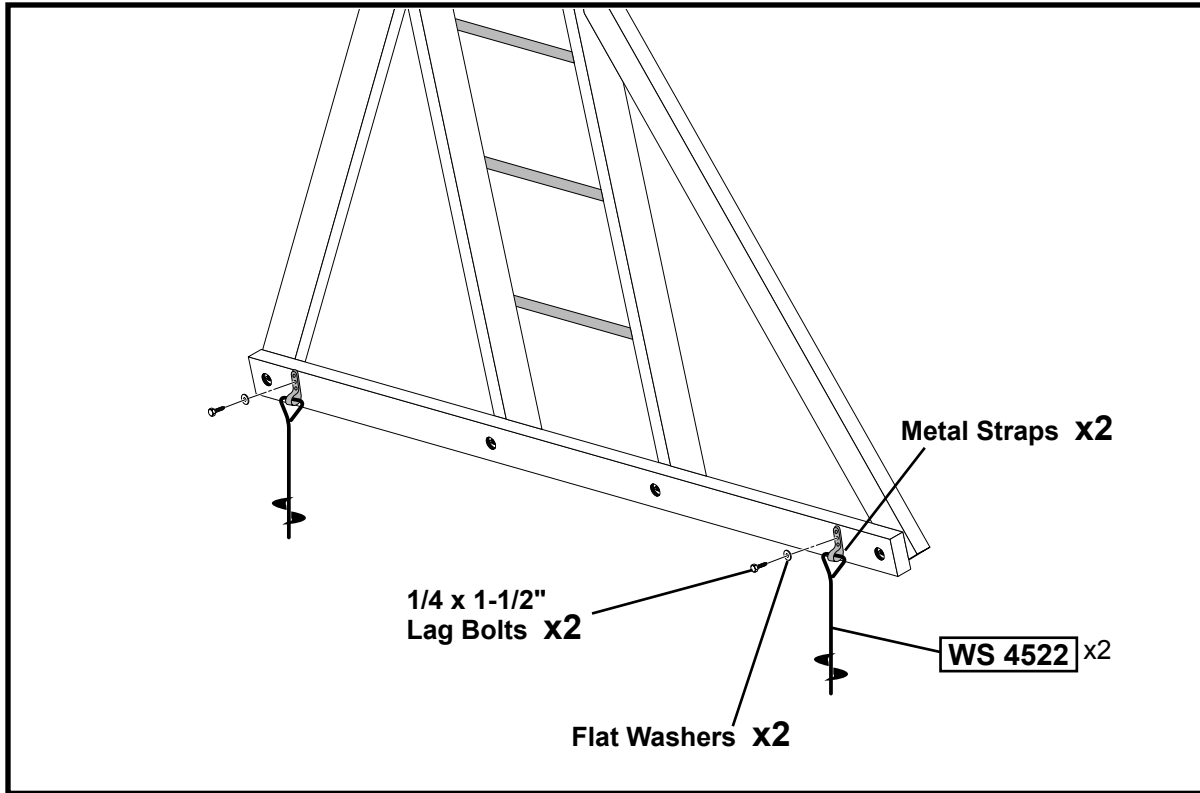
Drill-Through 3/16" marked locations.  
Re-Drill through using 7/16" bit from inside fort.



# MONKEY BAR

# INSTALL - STEP 3





### Instructions for anchoring your playset product to the ground.

1. Determine the final location of your playset product.
2. Place the Anchor Stakes adjacent to the base and near the corners of your playset product (at the bottom of the legs on swing sets) and twist the auger-style Anchor Stakes into the ground until only the loop is exposed.
3. Place the metal strap through the loop of the Anchor Stake and secure it to the unit with a lag screw and washer as shown.  
 Note: Attach the strap to the unit with as little play as possible using whatever holes in the strap work the best.

# WARRANTY

Backyard Play Systems warrants the following:

1. All wood components have a Limited Five Year Warranty.
  - Treated Wood - Backyard Play Systems will replace treated wood which becomes structurally unfit due solely to damage caused by fungal decay or termites.
2. All non-wood components\* have a three year Limited Warranty.
  - \*Ropes carry a one year Limited Warranty.
3. Installation labor has a one year Limited Warranty applicable on playsets installed by Backyard Play Systems. Labor warranty does NOT apply to Do-It-Yourself playset kits or kits installed by a third party.

Backyard Play Systems will repair, replace or pay for the affected part at our discretion. In no event shall Backyard Play Systems pay the cost of labor or installation or any other costs related thereto.

Non-residential use of the system is prohibited and will void this warranty as the system is designed for residential use only.

## Conditions

The warranty is effective only when:

1. The unit has been erected in accordance with the assembly instructions.
2. The unit has been regularly and properly maintained and inspected.
3. The failure occurs when the unit is owned by the original purchaser.
4. This warranty is non-transferable
5. Backyard Play Systems has received a copy of your original proof of purchase with any claims in writing.
6. Backyard Play Systems has had reasonable opportunity during the sixty (60) days following the receipt of notification to inspect and verify the failure prior to commencement of any repair work.
7. "Significant color changes" to wood components is at the discretion of Backyard Products and require proof in the form of photographs or inspection by Backyard Play Systems.

Wooden components may have imperfections such as checks and knots. These are natural blemishes and imperfections which are inherent to wood. The imperfections not resulting in structural failure are not covered under this warranty.

## Requirements

To validate your warranty it is necessary to fill out and mail in the enclosed warranty card. And also to maintain and inspect your playset regularly. Regularly is defined as once per start and end of season.

## Claim Procedure

To make a claim under this warranty, you can either call 1-866-890-2211 or prepare a letter. Please have ready the information below when you call or include the information in writing:

1. The model and size of the product.
2. A list of the part(s) for which the claim is made.
3. Proof of purchase of the Backyard Play Systems item, as shown on the original invoice.
4. Run Code, as listed on the enclosed warranty card.

Mail the above information to:

Backyard Play Systems  
Attn: Customer Service  
1000 Ternes Dr.  
Monroe, MI 48162

# WARRANTY

Please feel free to call our Consumer Help Line Toll Free

**1-866-890-2211**

**April through October M - F 8:00 AM to 7:00 PM EST**

**Saturday 8:30 AM to 4:30 PM EST**

**November through March M - F 8:00 AM to 5:00 PM EST**

No warranty is offered on the following: (1) equipment subject to abuse, negligence, improper installation, vandalism, acts of God, unauthorized alteration or attachment to equipment other than our own: or (2) equipment subjected to improper use, service or repair by customer or any third party.

**To the maximum extent permitted by law, this warranty and the remedies set forth herein are exclusive and expressly in lieu of all other warranties, expressed or implied, including warranties of merchantability or fitness for a particular purpose. If Backyard Play Systems cannot disclaim or exclude implied warranties under applicable law, then to the extent possible any claims under any such implied warranties shall expire on expiration of the applicable warranty period. Some states do not allow limitations on how long an implied warranty lasts, so the above limitation may or may not apply to you. Backyard Play Systems does not assume, or authorize any person to assume for us, any other liability in connection with the sale of our products.**

**To the maximum extent of the law, Backyard Play Systems assumes no responsibility for incidental or consequential damages which may arise from the purchase or use of our playset or equipment. Some states do not allow the exclusion or limitation of incidental or consequential damages, so the above limitation or exclusion may not apply to you.**

If any provision of this limited warranty is invalid, void or unenforceable in any instance or respect, the unenforceable provision will be severed and reformed to effect the intent of this limited warranty to the maximum extent possible, and the remaining provisions shall continue in full force and effect and shall be enforced to the full extent permitted by law.

This warranty gives you specific legal rights, and you may also have other rights which vary from state to state.

- WARRANTY TERMS MAY VARY OUTSIDE THE U.S.A.**
- This manual is your warranty certificate. Please retain your original proof of purchase and this manual for any warranty claims.